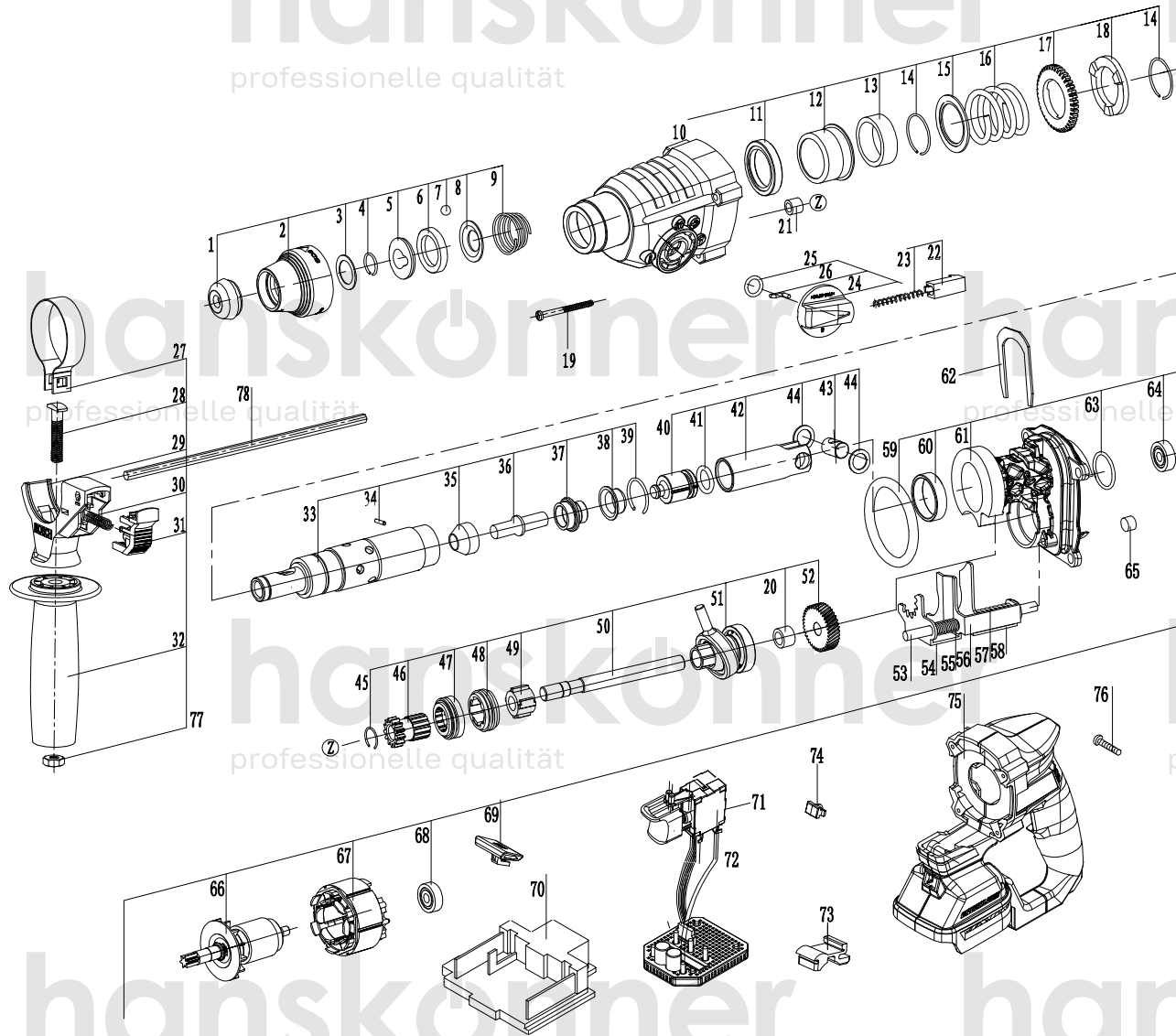


hansköpner

professionelle qualität

HRH2022BL



NO.	DESCRIPTION	NO.	DESCRIPTION
1	DUSTPROOF CAP	39	CIRCLIP $\Phi 25 \times 1.5$
2	PROTECTION SLEEVE	40	PISTON
3	WASHER $\Phi 24.8 \times \Phi 30.6 \times 0.9$	41	O-RING
4	CIRCLIP	42	CYLINDER
5	PROTECTION SLEEVE WASHER	43	CYLINDER PIN
6	WASHER	44	CYLINDER PIN WASHER
7	STEEL BALLC7.14	45	CIRCLIP $\Phi 7 \times 0.6$
8	WASHER	46	MIDDLE GEAR
9	SPRING	47	CLUTCH BUSHING
10	GEAR BOX	48	CLUTCH DISK
11	OIL SEAL	49	CLUTCH FIXER
12	BEARING BUSHING	50	MIDDLE SHAFT
13	BEARING 6805	51	ROCKER BEARING
14	CIRCLIP $\Phi 25.3 \times 1.5$	52	30 TEETH GEAR
15	WASHER	53	DOWEL PIN
16	SPRING	54	CLUTCH GEAR SEAT
17	BIG GEAR	55	SPRING
18	CLUTCH DISK	56	HOLDING PLATE
19	SCREW ST4.2*35	57	SPRING
20	NEEDLE BEARING HK081212	58	FIXING PLATE
21	NEEDLE BEARING HK0808	59	SEAL RING
22	LOCKING BUTTON	60	BUSHING
23	SPRING	61	BRACKET
24	SELECTOR KNOB	62	U PLATE
25	O-RING	63	O-RING
26	PIN OF KNOB	64	BEARING 608
27	CLAMPING BAND	65	WOOL FELT
28	T SCREW	66	ROTOR
29	SUPPORT CLAMP	67	STATOR
30	LOCKING BUTTON SPRING	68	BEARING 607
31	LOCKING BUTTON	69	FORWARD&REVERSE SWITCH
32	AUXILIARY HANDLE	70	BATTERY PACK CONNECTOR
33	ROTARY SLEEVE	71+72	MOTOR PCB +SWITCH
34	LOCK PIN	73	FIXED BLOCK
35	HAMMER ROD FIXED SLEEVE	74	LAMP SHADE
36	HAMMER ROD	75	MOTOR HOUSING SET
37	GUIDE BUSHING	76	SCREW ST4.2*16
38	FIXED SLEEVE	77	NUT M8
		78	DEPTH GAUGE

HRH2022BL-RUS20220822

hansköpner

professionelle qualität

hansköpner

professionelle qualität